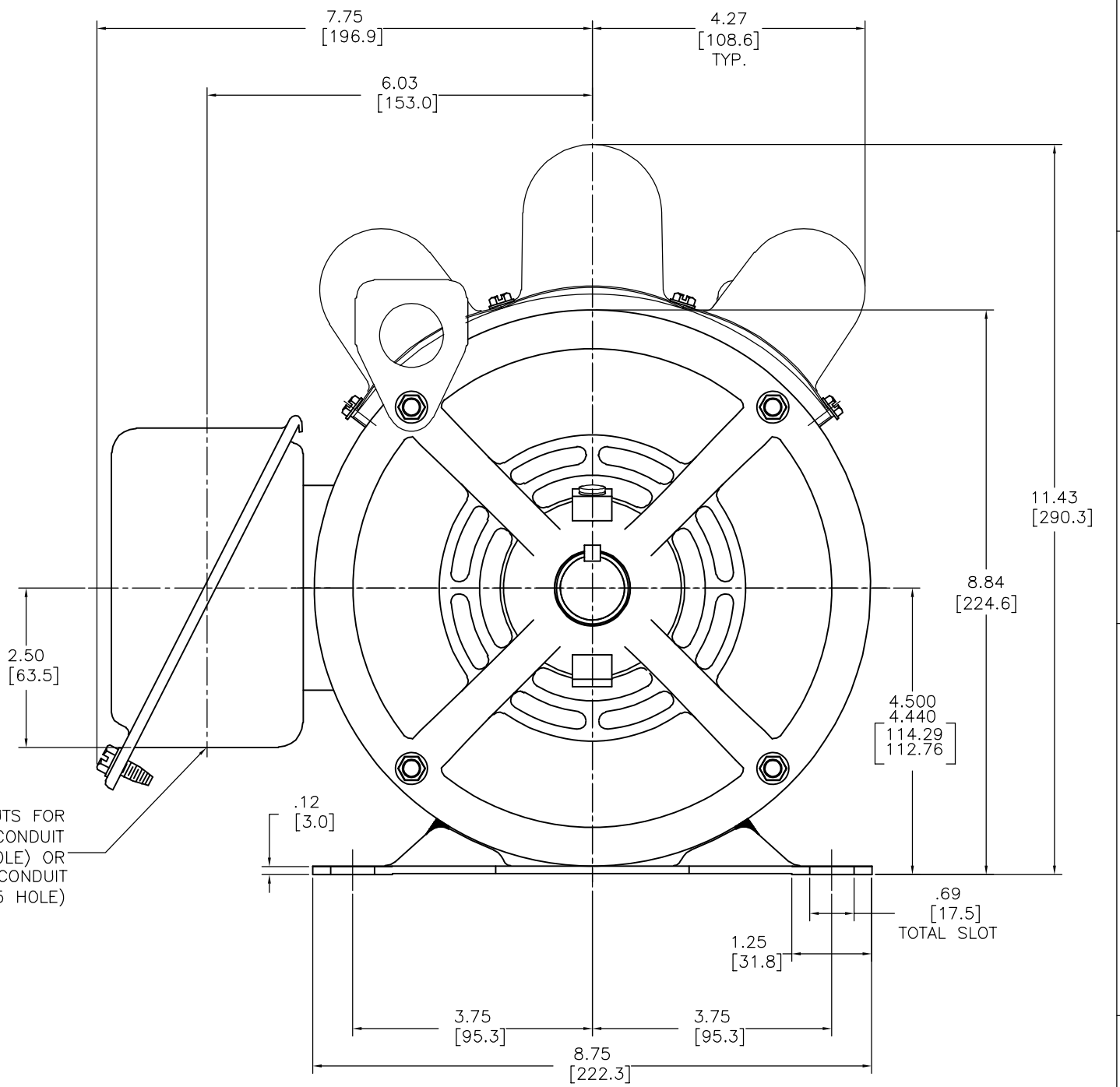
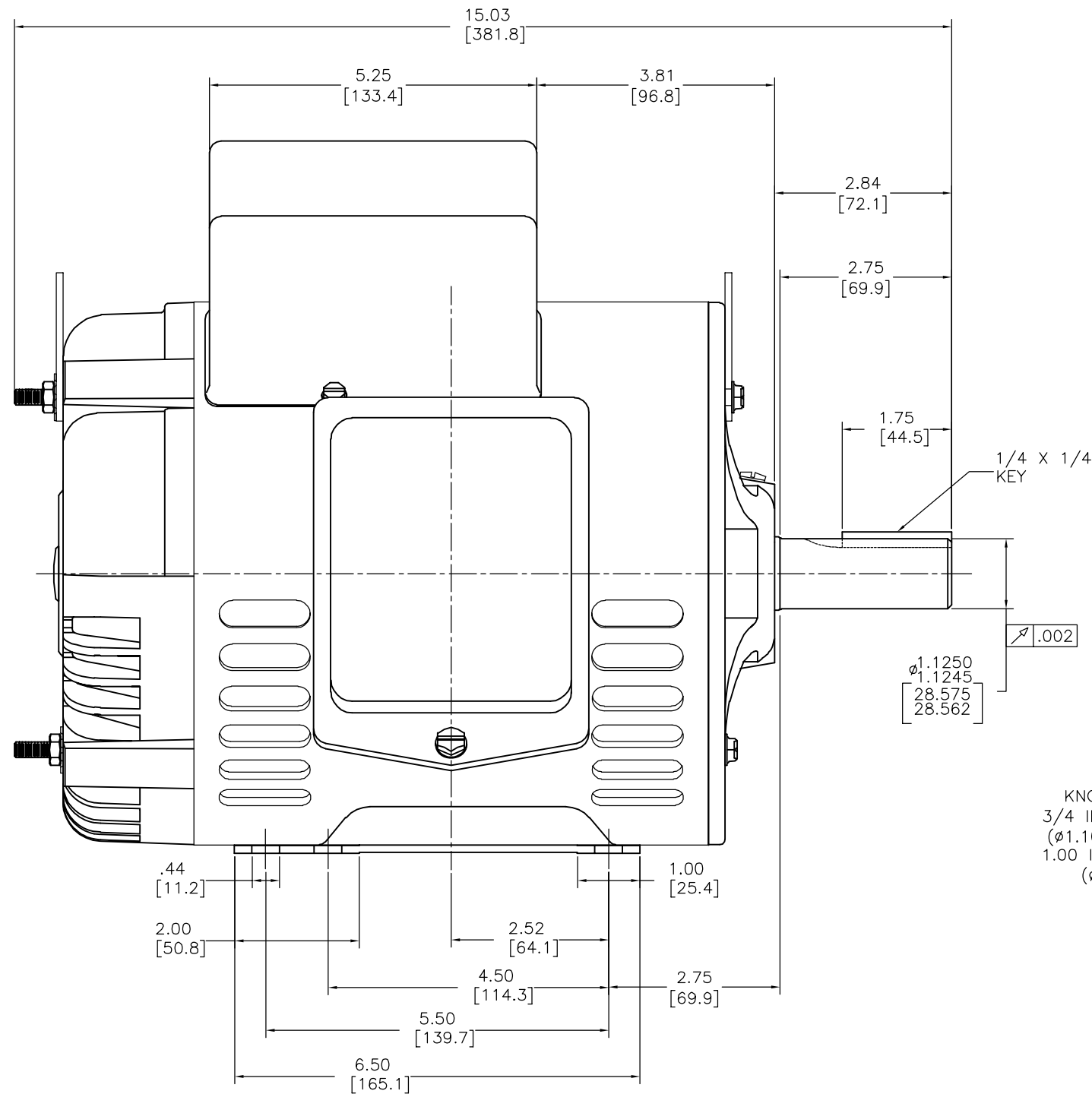


| REV | ECO     | REV BY    | DATE       | APPD     | DATE       |
|-----|---------|-----------|------------|----------|------------|
| G   | 0025411 | E.SINECIO | 04-17-2012 | R.RASCON | 04-17-2012 |



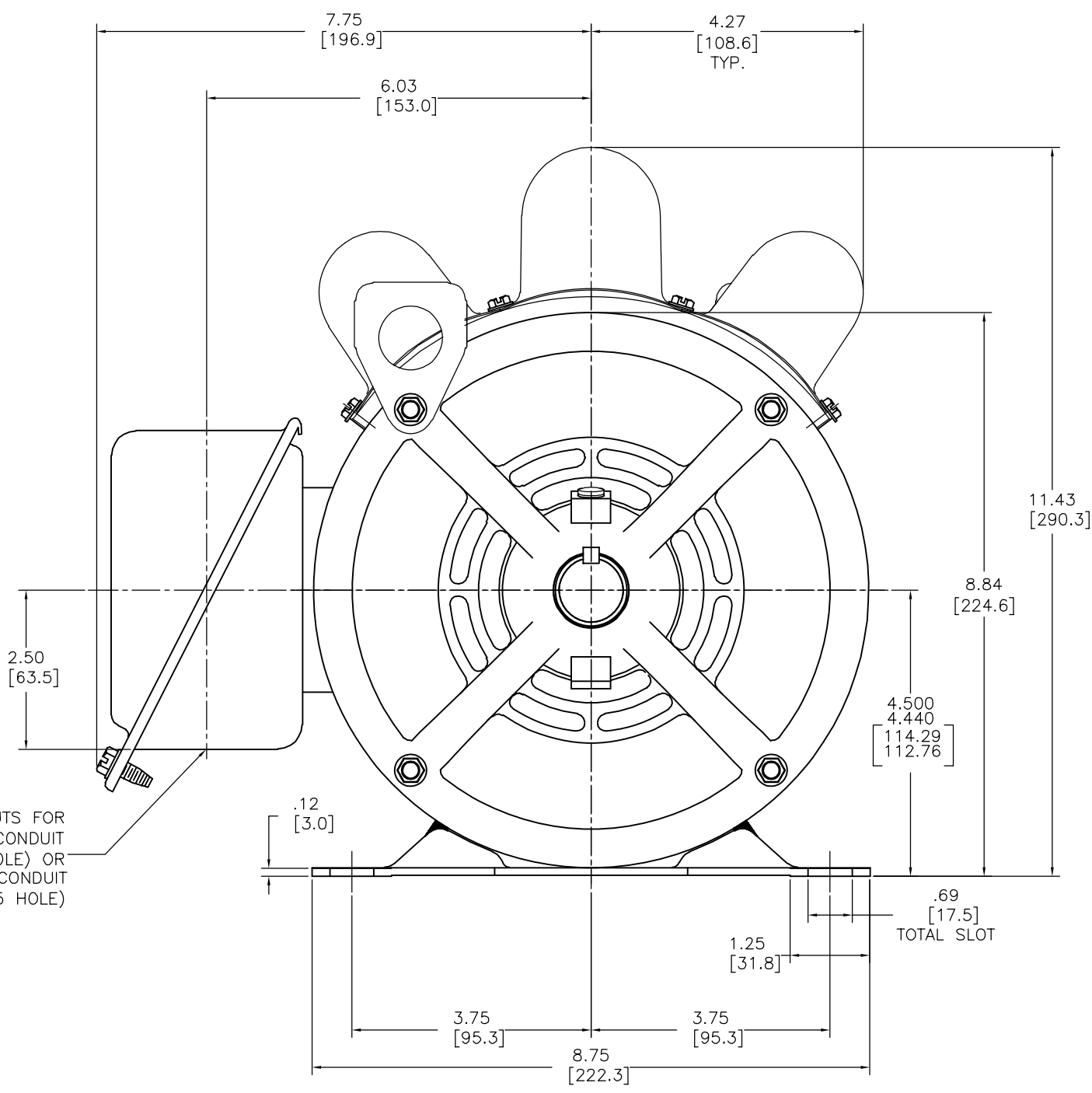
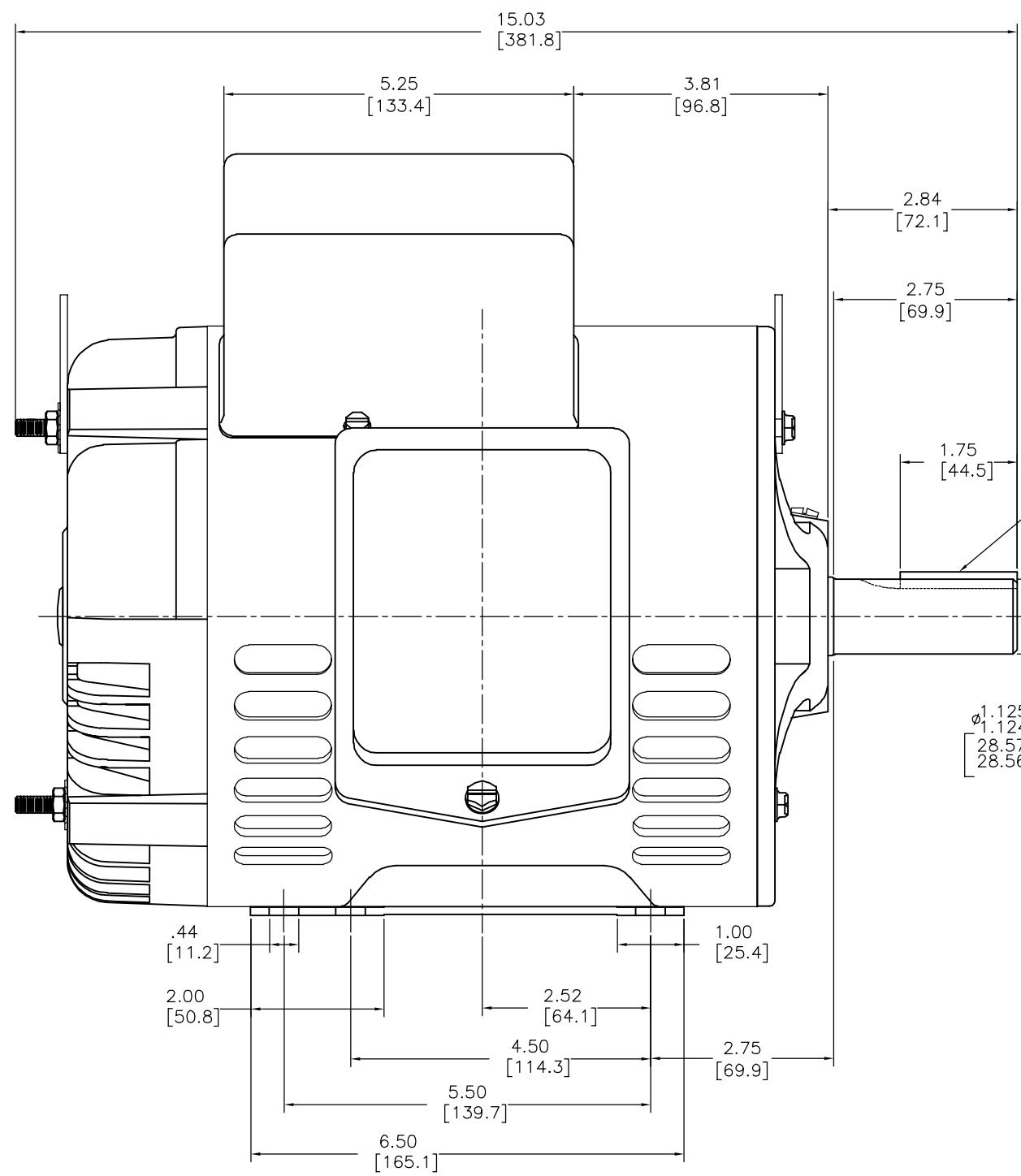
MOTOR DESCRIPTION:  
 SINGLE PHASE OPEN DRIPPROOF STEEL SHELL 182T OR 184T HORIZONTAL MOUNTING.  
 OTHER MOUNTING ORIENTATIONS ARE ACCEPTABLE; HOWEVER WHEN MOUNTED OTHER THAN HORIZONTAL, MOTOR WILL NOT BE DRIPPROOF AS DEFINED BY NEMA.

| CERTIFICATION OF A.C. MOTORS |               |       |       |             |
|------------------------------|---------------|-------|-------|-------------|
| CERTIFIED FOR                | CERTIFICATION |       |       |             |
| SPEC. NO. NO.                | ORDER NO.     | NO.   |       | NO.         |
| ORDER I.D.                   | I.D. NO.      | EMI   | EMI   |             |
| TYPE                         | TYPE          | FRAME | FRAME | H.P. H.P.   |
| R.P.M.                       | RPM           | VOLTS | VOLTS | PHASE PHASE |
| HERTZ                        | HERTZ         | AMPS  | AMPS  | CODE        |
| REMARKS                      | REMARKS       |       |       |             |
| APPROVED BY                  | APPROVED BY   | DATE: | DATE  |             |

- NOTES:
- 1- CONDUIT BOX MAY BE ROTATED IN 90° INCREMENTS.
  - 2- MOTOR MAY NOT BE CONVERTED FROM F1 TO F2 ASSEMBLY.
  - 3- MOTOR VENTILATION: AIR INTAKE THROUGH OPENINGS IN THE FACE OF EACH BRACKET AND THEN EXHAUSTED THROUGH THE VENT SLOTS ON EACH END OF THE SHELL.

|   |   |            |            |                                     |
|---|---|------------|------------|-------------------------------------|
| GEOMETRIC CHARACTERISTICS & SYMBOLS<br>▽ FLATNESS<br>⊥ STRAIGHTNESS<br>∠ ANGULARITY<br>⊥ PERPENDICULARITY (SQUARENESS)<br>∥ PARALLELISM<br>○ ROUNDNESS (CIRCULARITY)<br>Ⓞ CYLINDRICITY<br>≡ PROFILE OF ANY SURFACE<br>≡ PROFILE OF ANY LINE<br>↗ RUNOUT<br>⊕ TRUE POSITION<br>⊙ CONCENTRICITY<br>= SYMMETRY | UNLESS OTHERWISE SPECIFIED<br>DIM. TOLERANCES ARE AS FOLLOWS:<br>INCH $\pm .01$ $\pm .02$ $\pm .005$ $\pm .0005$<br>mm $\pm 0.5$ $\pm 0.13$ $\pm 0.013$<br>ANG. $\pm .50$ DEG<br>REMOVE BURRS & BREAK SHARP EDGES:<br>INCH .003-.015 mm 0.1-0.4<br>CORNER FILLETS TO:<br>INCH .020 mm 0.5<br>MACHINE SURFACES:<br>INCH 125 mm 3.2 | DR BY: PAW | 01-11-1986 | DESCRIPTION<br>MODEL-IHP<br>OUTLINE |
|   |   | APPD: JUR  | 01-11-1988 |                                     |
| THIRD ANGLE PROJECTION  |   | G          |            | DWG NO<br>35615000                  |
| CONFIDENTIAL: THIS DRAWING AND ITS INFORMATION ARE THE EXCLUSIVE AND CONFIDENTIAL PROPERTY OF REGAL-BELOIT CORPORATION AND ARE NOT TO BE DISCLOSED, DUPLICATED, DISTRIBUTED OR OTHERWISE USED WITHOUT THE WRITTEN CONSENT OF REGAL-BELOIT CORPORATION. -ALL RIGHTS RESERVED.                                |   |            |            | SCALE NONE<br>SHEET 1               |

|               |                         |                   |                        |                   |
|---------------|-------------------------|-------------------|------------------------|-------------------|
| REVISION: ECO | REVISADO POR: E.SINECIO | FECHA: 04-17-2012 | APROBADO POR: R.RASCON | FECHA: 04-17-2012 |
| G             | 0025411                 |                   |                        |                   |



1/4 X 1/4 KEY

KNOCKOUTS FOR 3/4 INCH CONDUIT (Ø1.109 HOLE) OR 1.00 INCH CONDUIT (Ø1.375 HOLE)

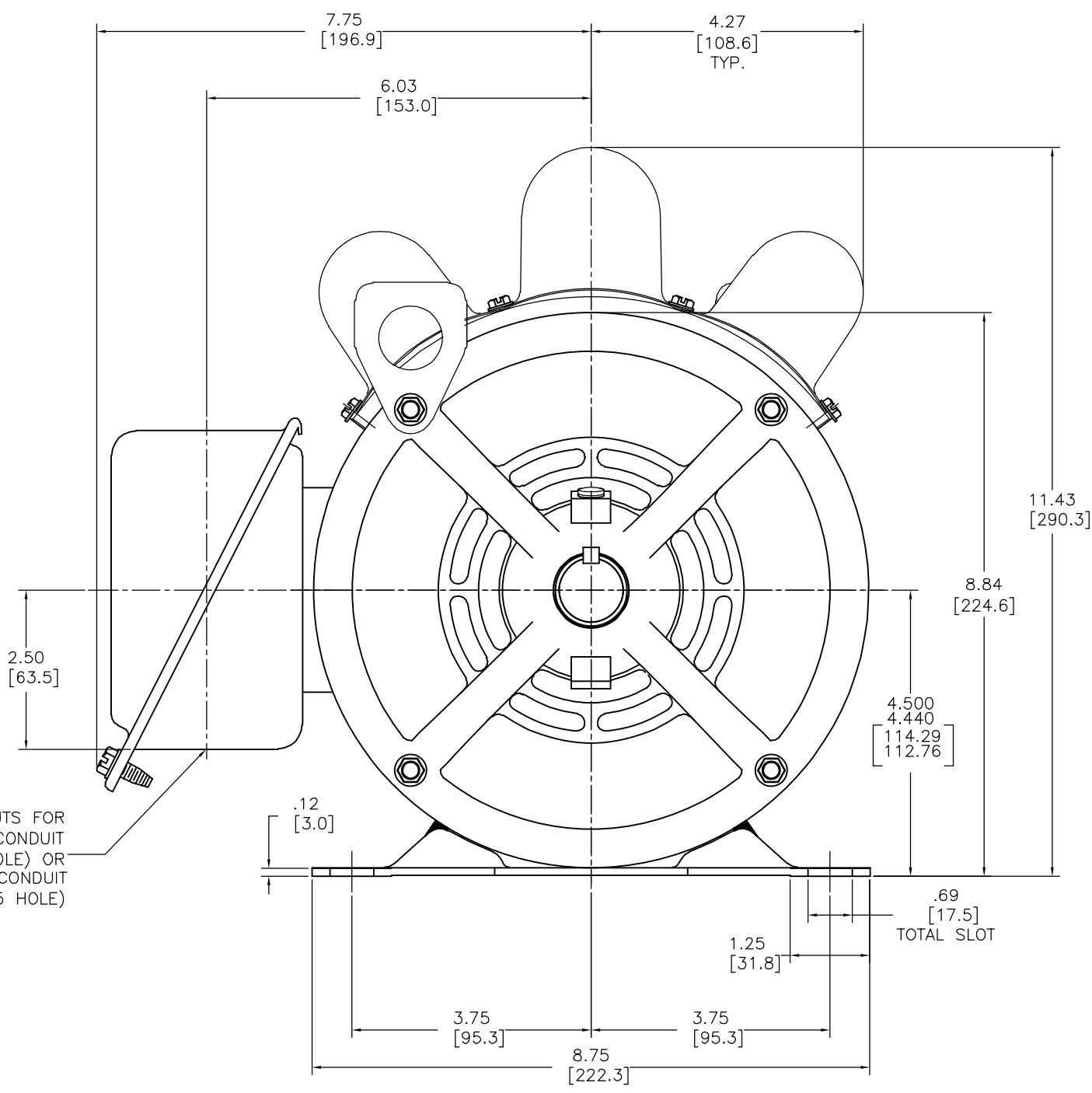
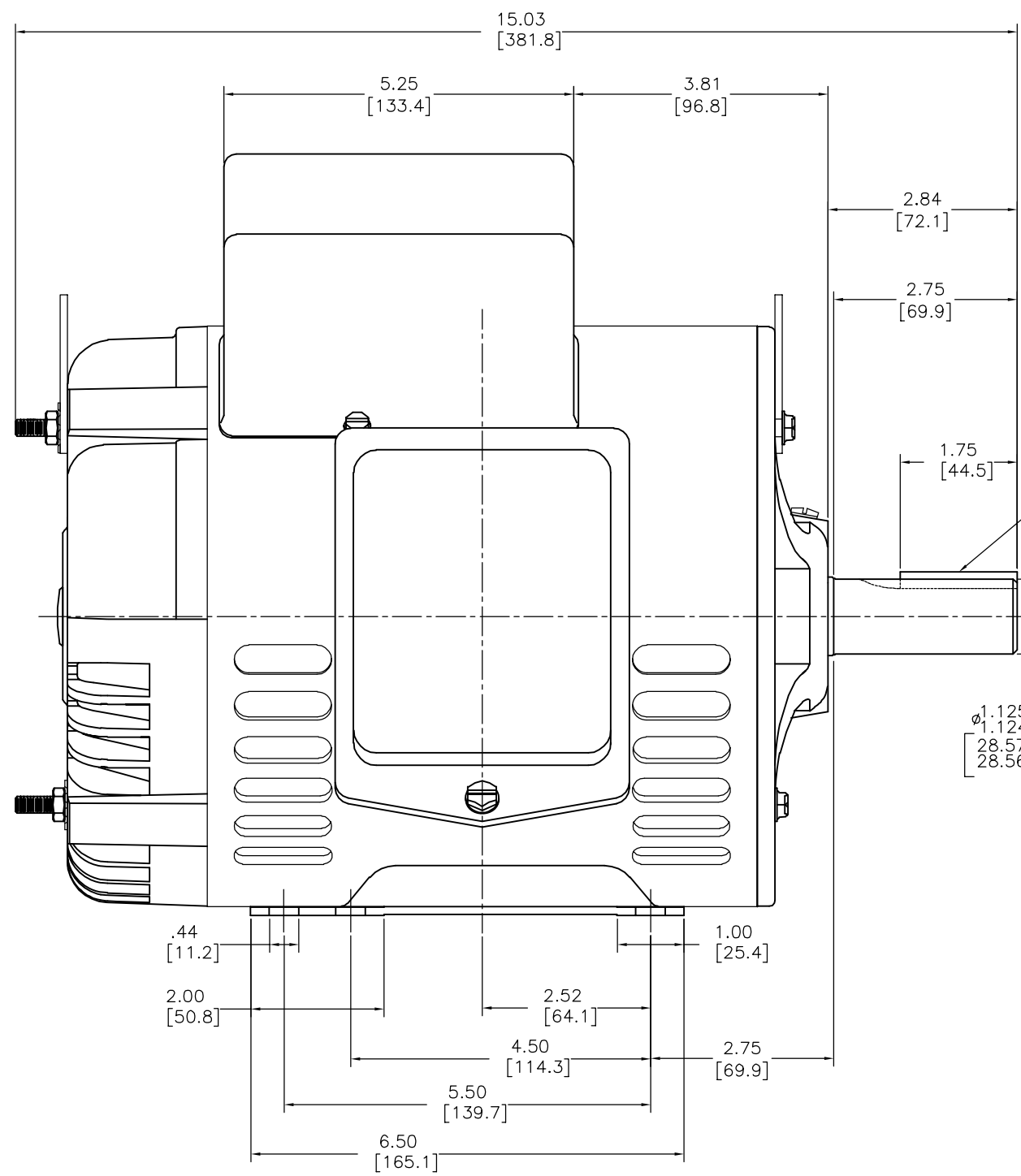
| CERTIFICATION OF A.C. MOTORS |               |       |       |
|------------------------------|---------------|-------|-------|
| CERTIFIED FOR                | CERTIFICATION |       |       |
| SPEC. NO. NO.                | ORDER NO.     | NO.   |       |
| ORDER I.D.                   | I.D. NO.      | EMI   | EMI   |
| TYPE                         | TYPE          | FRAME | FRAME |
| R.P.M.                       | RPM           | VOLTS | VOLTS |
| HERTZ                        | HERTZ         | AMPS  | AMPS  |
| REMARKS                      | REMARKS       |       |       |
| APPROVED BY                  | APPROVED BY   | DATE: | DATE  |

|  |  |
|--|--|
| CARACTERÍSTICAS DE GEOMETRIA Y SIMBOLOS:<br>□ PLANICIDAD<br>— RECTITUD<br>∠ ANGULARIDAD<br>⊥ PERPENDICULARIDAD (A ESCUADRA)<br>// PARALELISMO<br>○ REDONDEZ (CIRCULARIDAD)<br>R CILINDRICIDAD<br>∩ PERFIL DE CUALQUIER SUPERFICIE<br>^ PERFIL DE CUALQUIER LINEA<br>↗ VARIACION<br>⊕ POSICION REAL<br>⊙ CONCENTRICIDAD<br>= SIMETRIA | A MENOS QUE SE ESPECIFIQUE DE OTRA MANERA, LAS TOLERANCIAS DE LAS DIMS; SON LAS SIGUIENTES:<br>PULG ±.1 ±.02 ±.005 ±.0005<br>mm ±0.5 ±0.13 ±0.013<br>ANG. ±50 GRADOS<br>ELIMINAR REBABAS Y ORILLAS FILOSAS DEL BORDE.<br>FILETEAR ESQUINA: PULG .020 mm 0.5<br>MAQUINAR SUPERFICIES<br>PULG 125 mm 3.2<br>DIMS METRICAS MOSTRADAS [PARENTESIS] |
|--|--|

|   |  |
|---|--|
| DIBUJADO POR: PAW   | 01-11-1986                               |
| APROBADO POR: JUR   | 01-11-1988                               |
| TERCER ANGULO DE PROYECCION   | FECHA EDS: 02-22-2008<br>REV. FORMATO: G |
| CONFIDENCIAL: ESTE DIBUJO Y SU INFORMACION SON PROPIEDAD DE USO EXCLUSIVO Y CONFIDENCIAL DE REGAL-BELOIT CORPORATION, Y NO DEBERAN SER REVELADOS, DUPLICADOS, DISTRIBUIDOS O USARSE DE OTRA MANERA SIN EL CONSENTIMIENTO ESCRITO DE REGAL-BELOIT CORPORATION. -TODOS LOS DERECHOS RESERVADOS. |  |

|              |                            |
|--------------|----------------------------|
|              |                            |
| DESCRIPCION: | MODEL-IHP OUTLINE          |
| TAMAÑO: D    | NUMERO DE DIBUJO: 35615000 |
| ESCALA: NONE | HOJA: 1                    |

|    |         |           |            |          |            |
|----|---------|-----------|------------|----------|------------|
| 版本 | ECO     | 编制        | 日期         | 批准       | 日期         |
| G  | 0025411 | E.SINECIO | 04-17-2012 | R.RASCON | 04-17-2012 |



KNOCKOUTS FOR  
3/4 INCH CONDUIT  
(Ø1.109 HOLE) OR  
1.00 INCH CONDUIT  
(Ø1.375 HOLE)

|                                   |             |           |       |           |       |
|-----------------------------------|-------------|-----------|-------|-----------|-------|
| CERTIFICATION OF A.C. MOTORS      |             |           |       |           |       |
| CERTIFIED FOR _____ CERTIFICATION |             |           |       |           |       |
| SPEC. NO.                         | NO.         | ORDER NO. | NO.   |           |       |
| ORDER I.D.                        | I.D. NO.    | EMI       | EMI   |           |       |
| TYPE                              | TYPE        | FRAME     | FRAME | H.P./H.P. |       |
| R.P.M.                            | RPM         | VOLTS     | VOLTS | PHASE     | PHASE |
| HERTZ                             | HERTZ       | AMPS      | AMPS  | CODE      | -     |
| REMARKS                           | REMARKS     |           |       |           |       |
| APPROVED BY                       | APPROVED BY | DATE      | DATE  |           |       |

|        |                          |
|--------|--------------------------|
| 形位公差   | 除另有注明                    |
| — 平面度  | 尺寸公差如下:                  |
| — 直线度  | 英寸 X XX XXX XXXX         |
| — 倾斜度  | 英寸 ±.1 ±.02 ±.005 ±.0005 |
| — 垂直度  | 毫米 ±0.5 ±0.13 ±0.013     |
| — 平行度  | 角度 ±.50 度                |
| — 圆度   | 清理毛刺和尖棱                  |
| — 圆柱度  | 英寸 .003-.015 毫米 0.1-0.4  |
| — 面轮廓度 | 内圆角                      |
| — 线轮廓度 | 英寸 .020 毫米 0.5           |
| — 圆跳动  | 表面粗糙度                    |
| — 位置度  | 英制 125 米制 3.2            |
| — 同轴度  | 米制尺寸显示在 [ ]              |
| — 对称度  |                          |

|   |          |            |
|---|----------|------------|
| 绘图:   | PAW      | 01-11-1986 |
| 批准:   | JJR      | 01-11-1988 |
| 第三角投影   | 图框格式发布日期 | 02-22-2008 |
|   | 图框格式版本   | G          |
| 机密: 本图纸及相关信息所有权归REGAL-BELOIT CORPORATION。未经REGAL-BELOIT CORPORATION书面授权, 不得泄露、复制、传播或作其他用途。—版权所有 |          |            |

|    |                   |
|----|-------------------|
|    |                   |
| 名称 | MODEL-IHP OUTLINE |
| 图幅 | D                 |
| 图号 | 35615000          |
| 比例 | NONE              |
| 页号 | 1                 |