

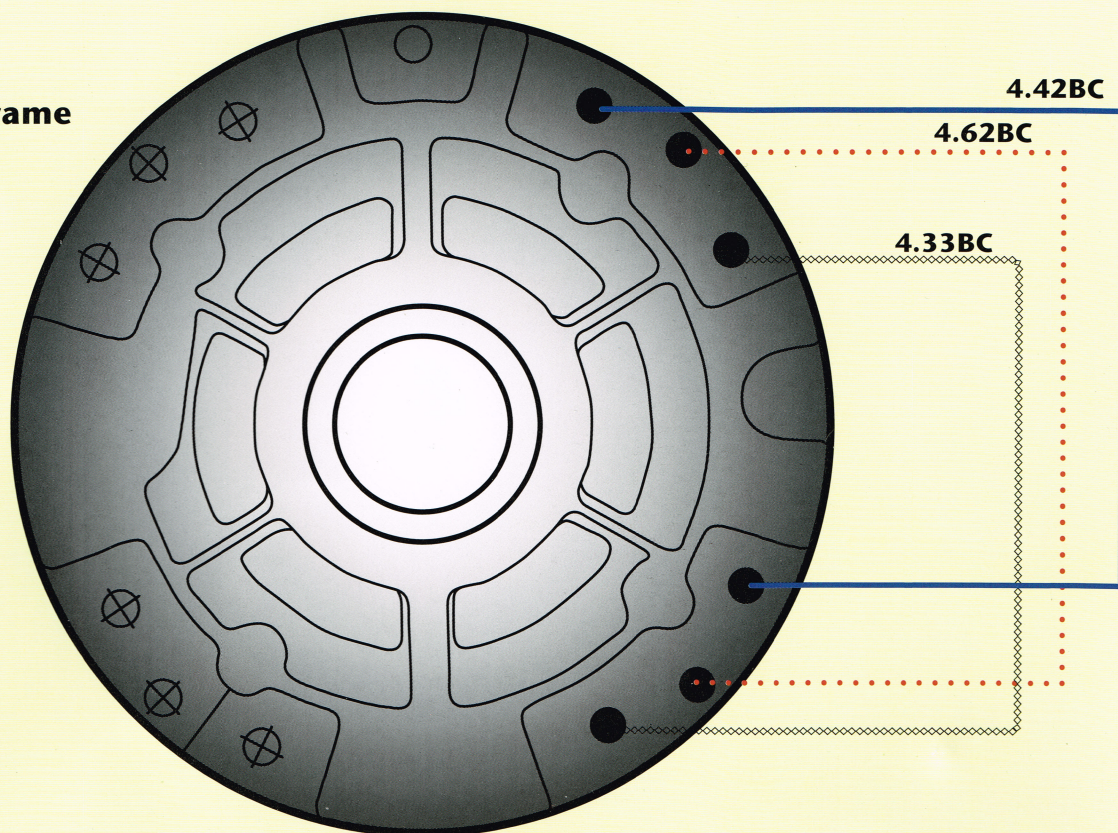
MultiFit™: Multi-Mounting System™

1. Three MultiFit 3-in-1™ multi-horsepower motor models, 1625 RPM and 1075 RPM, replace hundreds of 1/4, 1/5, 1/6, 1/8, 1/10 or 1/12 horsepower 42 frame (5" dia.) condenser fan applications – with one simple connection
2. MultiFit motors replace motors with a 4.33, 4.42 and 4.62 inch mounting bolt circle (BC)

For quick and easy installation, each MultiFit motor is supplied with:

- Durable collar studs with 5/8" extension, 8-32 threads
- Extra mounting nuts with locking feature
- Easy-to-install plugs
- Mounting instructions with easy-to-read diagrams

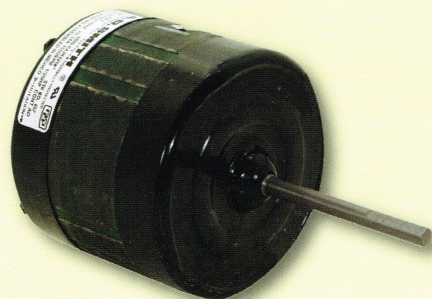
Lead End Endframe



MultiFit Multi-Mounting System Replaces:

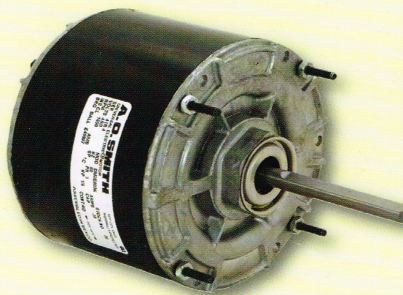
4.42BC

AOS/Westinghouse Design
Emerson 42-Frame (5" dia.)



4.62BC

GE 42-Frame (5" dia.)
Fasco 42-Frame (5" dia.)
AOS/Universal Electric Design



4.33BC

Emerson Clam-Shell
GE Cap-Can

